



VISSEM ELECTRONICS CO., LTD

R&D DIVISION

262-14, Guseong-ro, Giheung-gu, Yongin-si,

Gyeonggi-do, 446-915, KOREA

TEL: +82-31-288-3427~29,20

FAX: +82-31-288-3490~1

[HTTP://WWW.VISSEM.COM](http://www.vissem.com)

# LED DOT MATRIX MODULE

# VS128F111-4

## 1 x 1 Type

ISSUED DATE	2017.07.04	ITEM	DESIG	CHECK	APPROVAL
		SIGNATURE			
		DATE			

# 1.MODEL NAME : VS128F111-4

## 2. FEATURES

ITEM		DESCRIPTION
Display Color		Full Color
Structure	Size(W X H X D)	128 X128 X15.55(mm)
	Dot Pitch	8(mm)
	Number Of Dots	256(16 × 16) Dots
	Leds Per Dot	R:1, PG:1,B:1(3In-1 SMD LED)
Weight		Max.230(g)
Drive Mode		1/4 Duty Drive
Application		OUTDOOR, WATERPROOF, HOOD

## 3. ABSOLUTE MAXIMUM RATINGS

ITEM	SYMBOL	VALUE	UNIT	REMARK
Supply Voltage	$V_{LED}$	0~+5.5	V	
	$V_{CC}$	0~+6.0		
Signal Input Voltage Level	$V_{IH}, V_{IL}$	-0.3~ $V_{CC}+0.3$	V	
Operating Temperature	$T_{OP}^{[1]}$	-20 ~ +50	°C	On Dots=100%
		-20 ~ +60	°C	On Dots=30%
Storage Temperature	$T_{stg}$	-25 ~ +80	°C	


**NOTES :** [1] Temperature of led surface's should be remained below 70°C in case of necessity, led system requires cooling fan. Maintained at less than 80% relative humidity, and no dew condensation shall take place.

## 4. RECOMMENDABLE OPERATING CONDITIONS

ITEM		SYMBOL	MIN.	TYP.	MAX.	UNIT	REMARK
Supply Voltage	Led	$V_{LED}$	4.75	5	5.25	V	
	Logic Circuit	$V_{CC}$	4.75	5	5.25		
Signal Input Voltage Level	$V_{IH}$	$0.8 \times V_{CC}$	-	$V_{CC}$			
	$V_{IL}$	0	-	$0.3 \times V_{CC}$			
Operating Temperature		$T_{OP}$	-15 ~ +45			°C	

## 5. ELECTRICAL CHARACTERISTICS (AT $T_a = 25^\circ\text{C}$ )

ITEM	SYMBOL	VALUE	UNIT	REMARK
Clock Frequency	F	MAX.16	MHz	
Current Consumption For Module	$I_{LED}$	MAX.2	A	ALL On
	$I_{IC}$	MAX.0.5		

	MODEL	VERSION UPDATE	PAGE
	VS128F111-4	2017.07.04	1/11

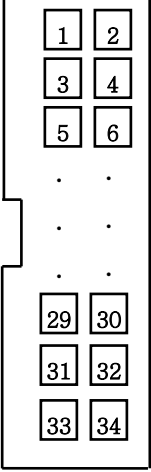
## 6. OPTICAL CHARACTERISTICS( AT T<sub>a</sub> = 25°C)

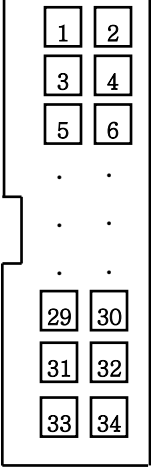
ITEM	SYMBOL	MIN.	TYP.	MAX.	UNIT	REMARK
Brightness	RED	1,100	-	-	cd/m <sup>2</sup>	
	GREEN	4,000	-	-		
	BLUE	900	-	-		
	WHITE	5,000	-	-		
Wavelength	RED	-	622	-	nm	
	GREEN	-	524	-		
	BLUE	-	472	-		
Viewing Angle	HOR.	-	110	-	deg(°)	Tolerance ±10%
	VER.	-	110	-		

[REFERENCE] **Brightness of standard model are measured by Our company's the controller.**  
**If you have any questions about brightness, Please contact us.**

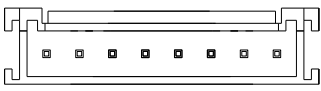
## 7. SIGNAL FUNTION

### 1) DATA SIGNAL CONNECTOR

PIN MAP (IN)	PIN NUMBER	PIN NAME	FUNCTION DESCRIPTION
	1, 3, 5, 7	R1, R2, R3, R4	Data Input For Red Color
	9, 11, 13, 15	G1, G2, G3, G4	Data Input For Green Color
	17, 19, 21, 23	B1, B2, B3, B4	Data Input For Blue Color
	25	LATCH_IN	Data Strobe
	27	$\overline{\text{OE}}_{\text{IN}}$	Brightness Control
	31[MSB], 29[LSB],	A[1:0]_IN	2BIT Line Address
	33	SCLK_IN	Shift Clock For Input Data
	2, 4, 6, 8, 10, 12, 14, 16, 18, 20, 22, 24, 26, 28, 30, 32, 34	GND	Ground Of The Module

PIN MAP (OUT)	PIN NUMBER	PIN NAME	FUNCTION DESCRIPTION
 <p>TOP VIEW</p>	1, 3, 5, 7	R1, R2, R3, R4	Data Output For Red Color
	9, 11, 13, 15	G1, G2, G3, G4	Data Output For Green Color
	17, 19, 21, 23	B1, B2, B3, B4	Data Output For Blue Color
	25	LATCH_OUT	Data Strobe
	27	$\overline{\text{OE}}_{\text{OUT}}$	Brightness Control
	31[MSB], 29[LSB],	A[1:0]_OUT	2BIT Line Address
	33	SCLK_OUT	Shift Clock For Output Data
	2, 4, 6, 8, 10, 12, 14, 16, 18, 20, 22, 24, 26, 28, 30, 32, 34	GND	Ground Of The Module

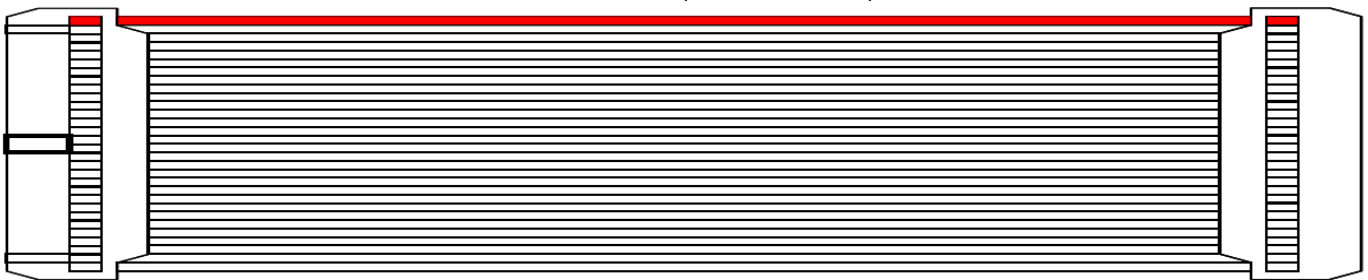
## 2) POWER CONNECTOR

PIN MAP(POWER)	PIN NUMBER	PIN NAME	FUNCTION DESCRIPTION
 <p>TOP VIEW</p>	1	V <sub>CC</sub>	Supply Voltage For IC
	2, 3, 4	V <sub>LED</sub>	Supply Voltage For LED
	5, 6, 7, 8	GND	Ground Of The Module

## 3) CONNECTOR CABLE SPECIFICATION

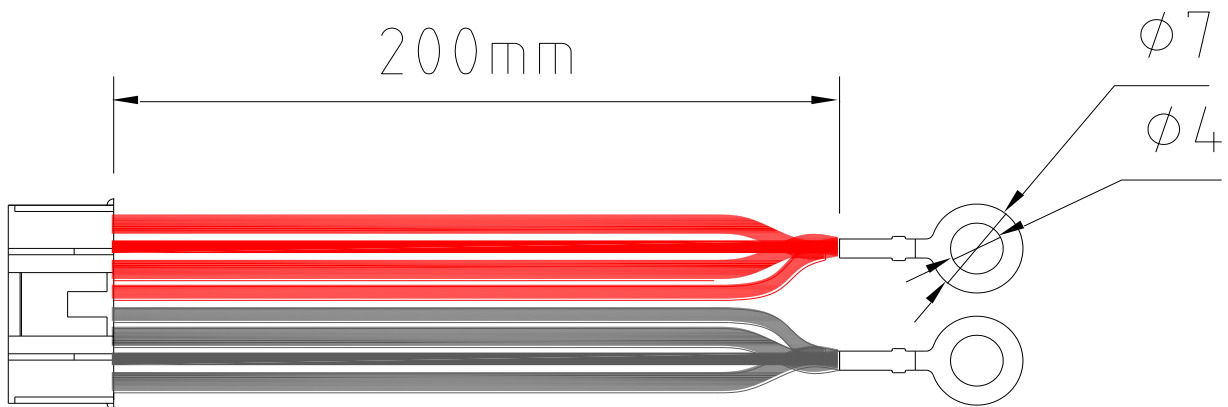
### - DATA CABLE

34 PIN Cable (Pitch 2.00mm)




※ CAUTION : There is no need for data cable to connect in between modules. Only, there is need for data cable to connect between controller and module. The data cable's length depend on customer's condition.

### - POWER CABLE



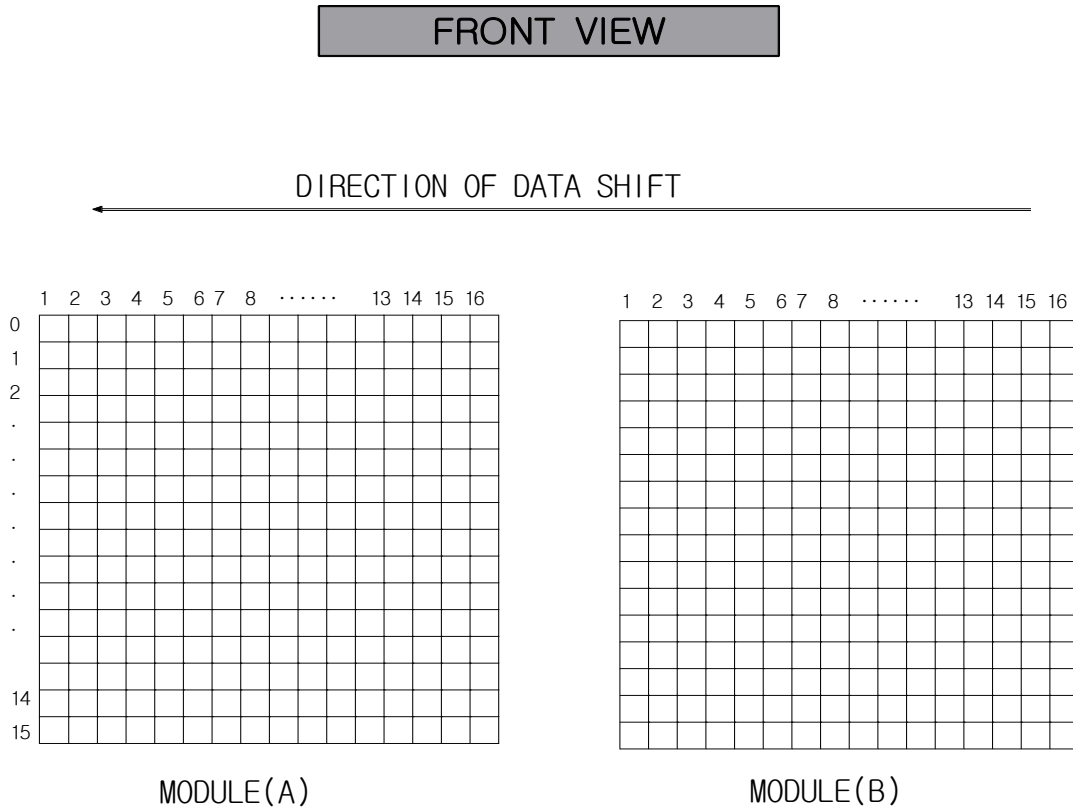
CONNECTOR	VENDOR	MODEL NO.	SPECIFICATION	HOUSING MODEL NO.
DATA	DONCONNECTX	A05G-34BSA1-G102	34PIN, 2mm PITCH	FL200-34D
POWER	YEONHO	SMW200-08G	8Pin 2mm Pitch	SMH200-08

※ This connectors can be changed without a previous notice for quality improvement.

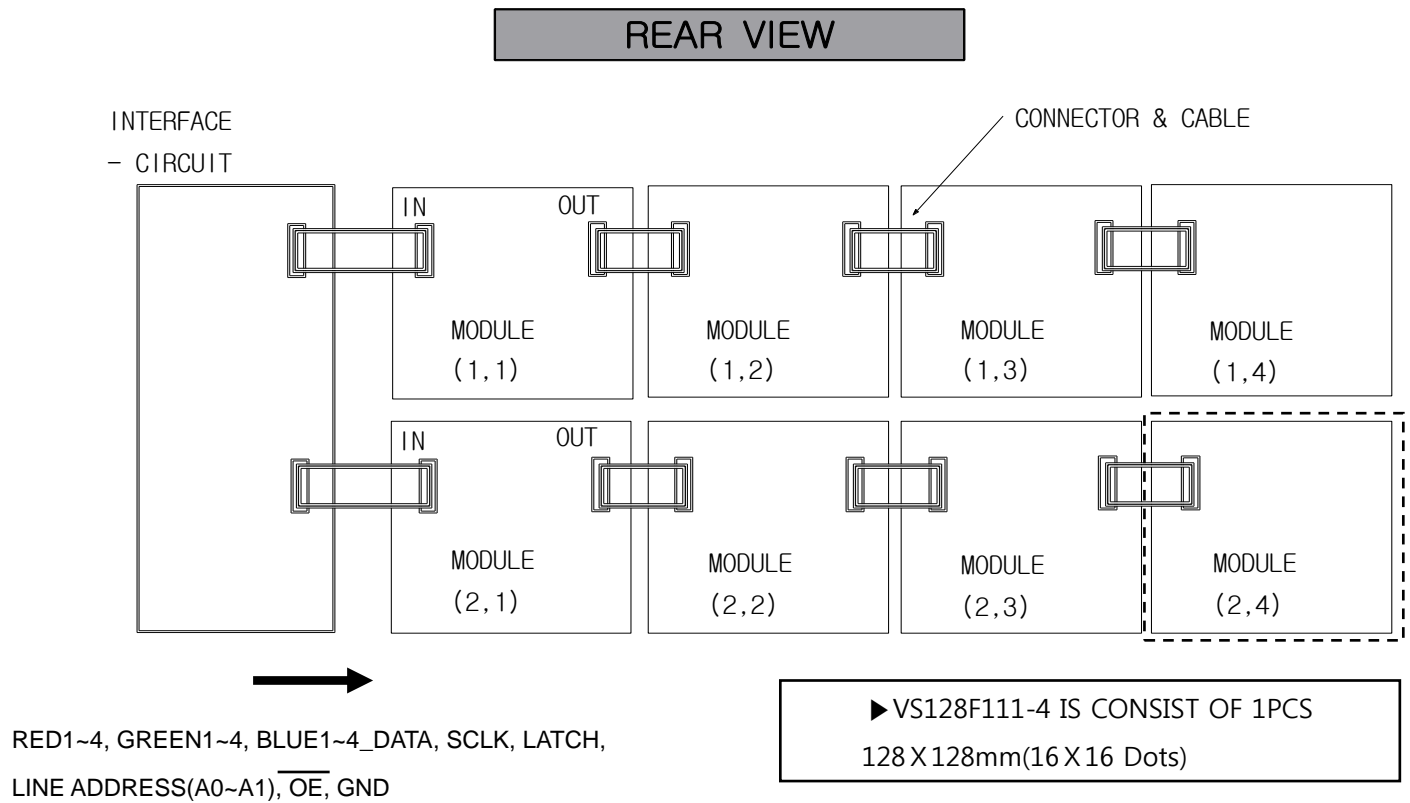
	MODEL	VERSION UPDATE	PAGE
	VS128F111-4	2017.07.04	3/11

## 8. SIGNAL & POWER CABLE CONNECTION

### 1) DIRECTION OF DATA

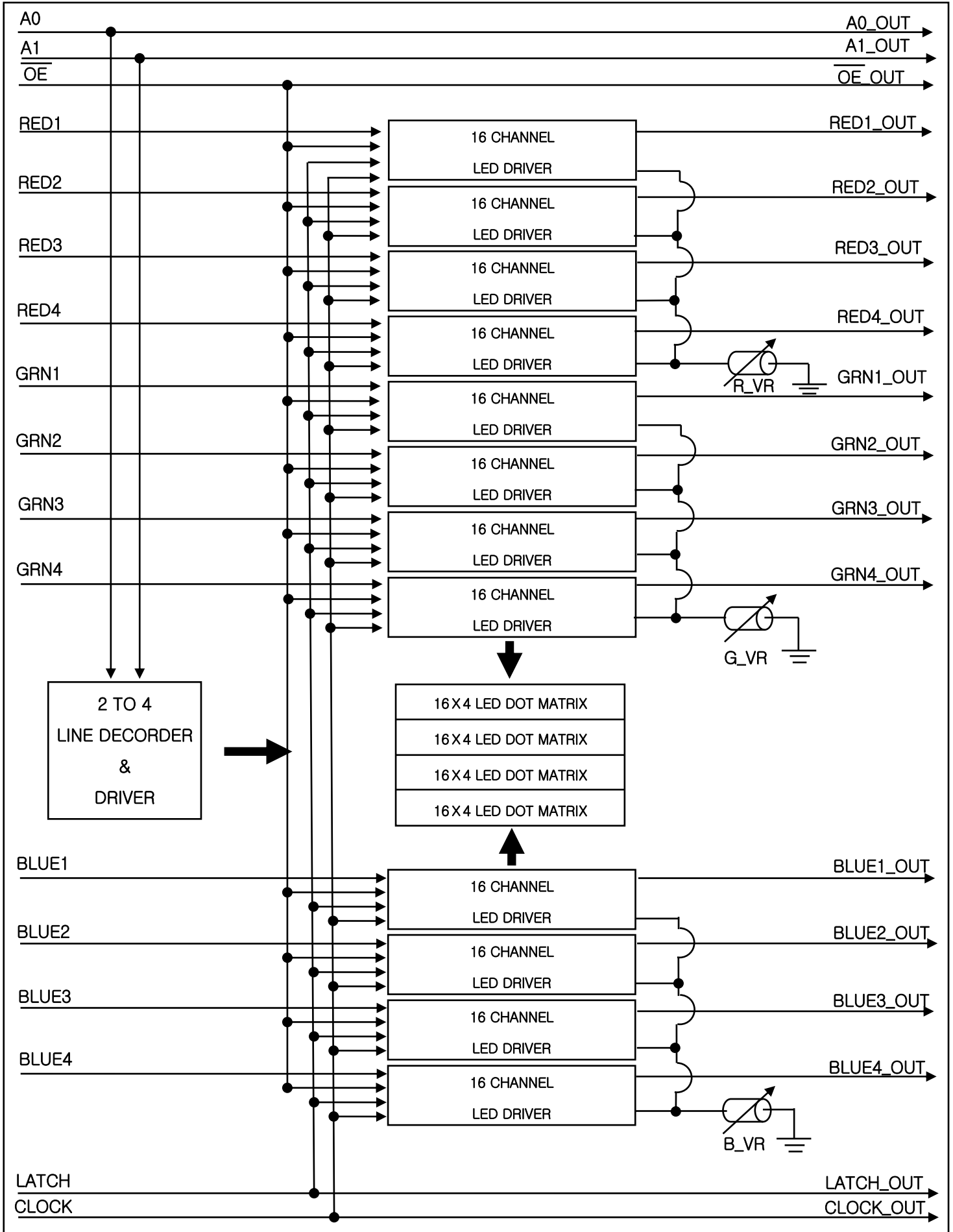



### 2) SIGNAL CABLE CONNECTION EXAMPLE



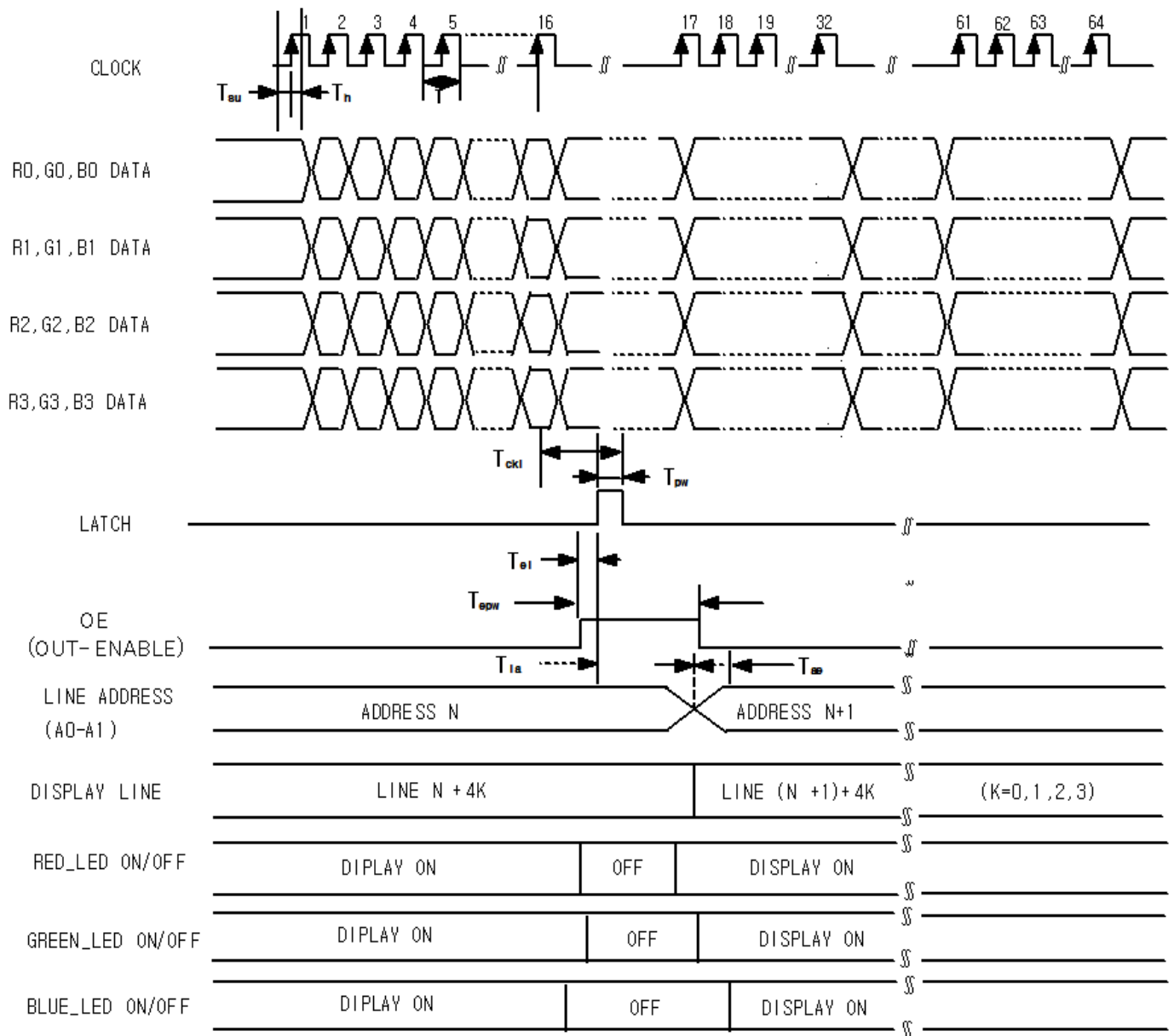
	MODEL	VERSION UPDATE	PAGE
	VS128F111-4	2017.07.04	4/11

# 9. BLOCK DIAGRAM




	MODEL	VERSION UPDATE	PAGE
	VS128F111-4	2017.07.04	5/11

## 10. TIMMING CHART

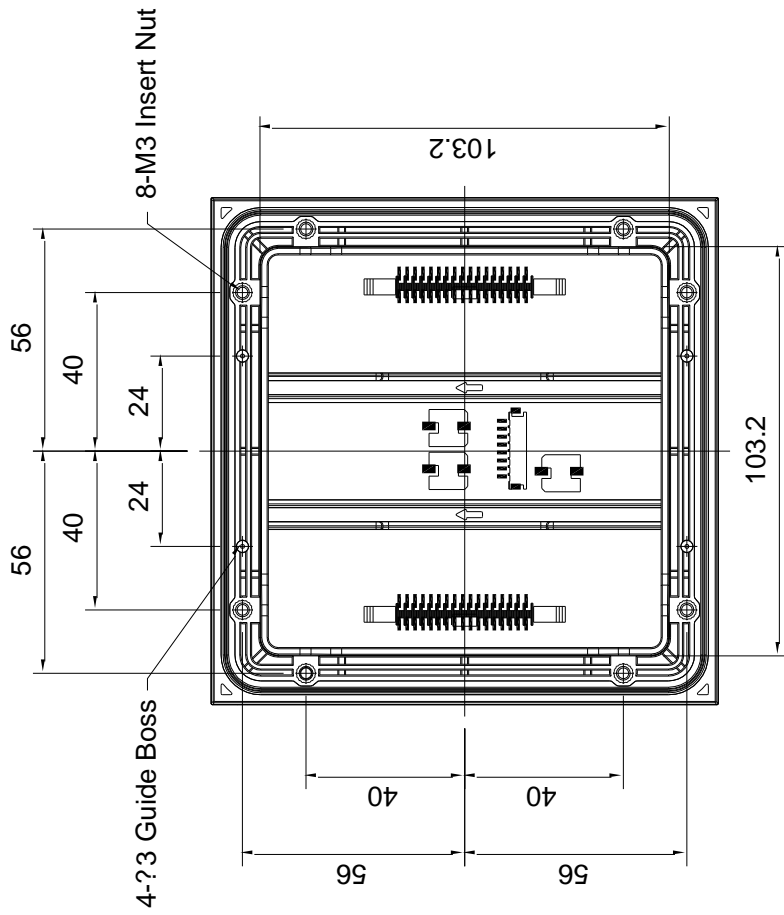


$V_{cc}=5V, T_a=25^{\circ}C$

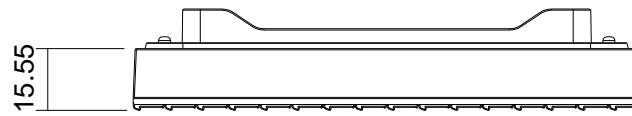
CHARACTERISTICS	SYMBOL	MIN	MAX	UNIT
CLOCK CYCLE	<b>T</b>	-	16	MHz
DATA SETUP TIME	$T_{su}$	10	-	ns
DATA HOLD TIME	$T_h$	15	-	ns
LATCH PULSE WIDTH	$T_{pw}$	50	-	ns
LATCH HOLD TIME	$T_{ckl}$	15	-	ns
ENABLE-LATCH TIME	$T_{el}$	1	-	$\mu s$
ENABLE PULSE WIDTH	$T_{epw}$	3	-	$\mu s$
ADDRESS-ENABLE TIME	$T_{ae}$	1	-	$\mu s$
LATCH-ADDRESS TIME	$T_{ia}$	20	-	ns

	MODEL	VERSION UPDATE	PAGE
	VS128F111-4	2017.07.04	6/11

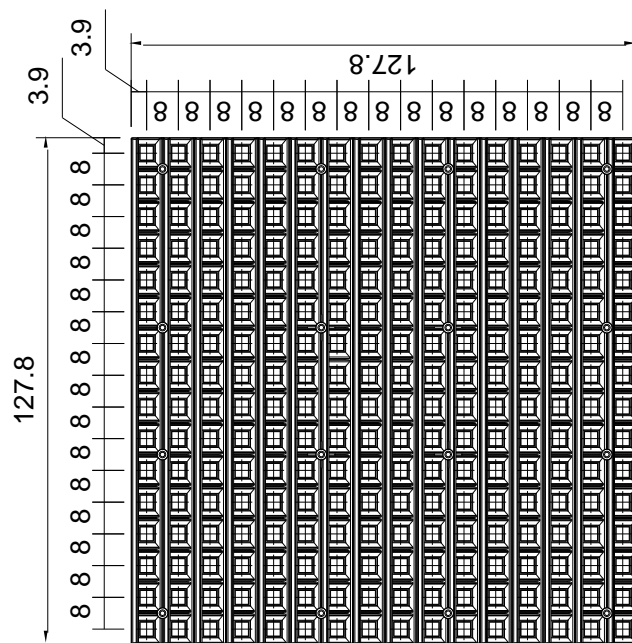
# 11. DIMENSION




Rear View



Side View

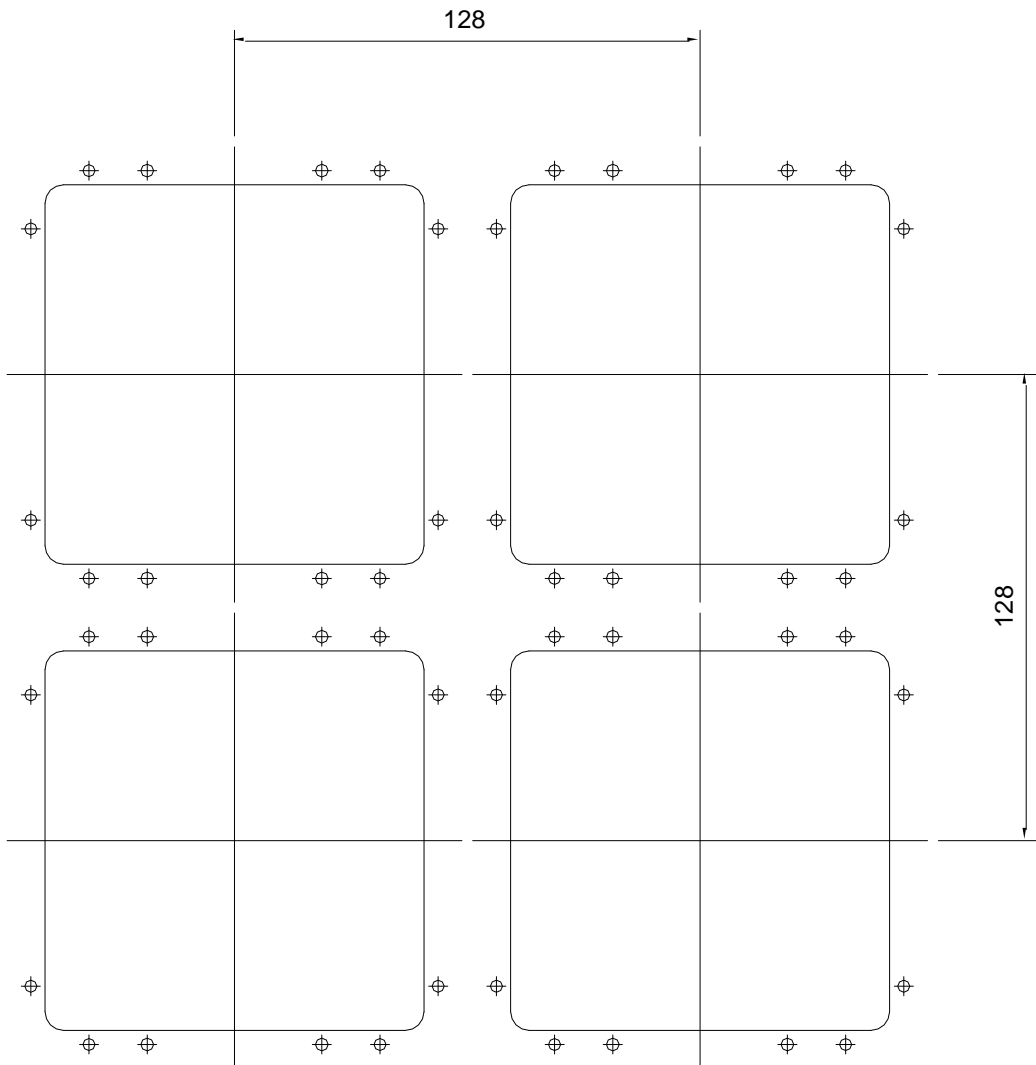
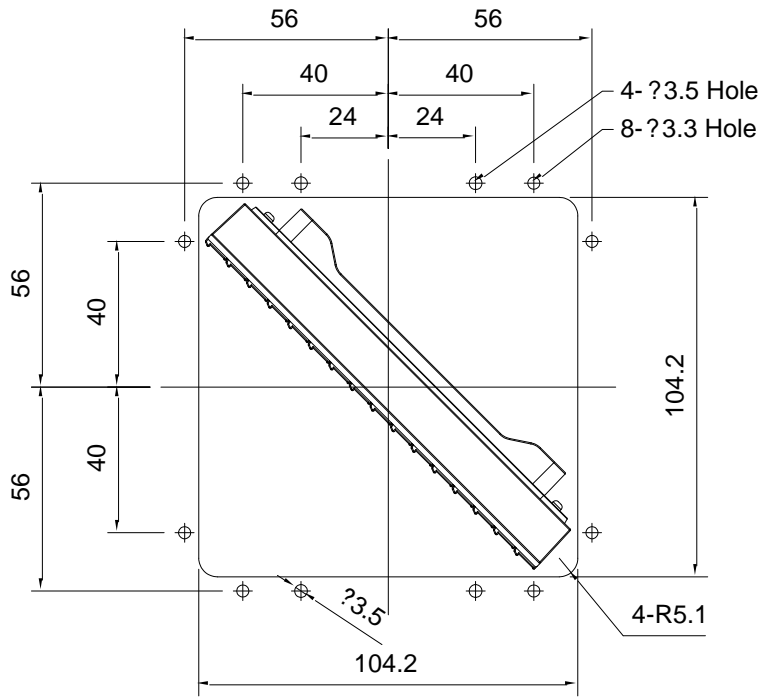


Front View


	MODEL	VERSION UPDATE	PAGE
	VS128F111-4	2017.07.04	7/11



**Plate Work**



**2x2 Array**

	MODEL	VERSION UPDATE	PAGE
	VS128F111-4	2017.07.04	8/11

※ 제품 조립 시 주의 사항 ※

▶ 적정 토크 기준 : 6~7Kg/cm (토크눈금단위가 아니므로 주의 할 것)


1. 이 이상의 힘이 가해질 시 모듈의 사출물이 파손이 일어 날 수 있습니다.
2. 이 이하의 힘으로 조립 시 모듈사출물과 상대물이 압착이 안되어서 방수에 문제가 생길 수 있습니다.
3. 처음 1개 모듈을 적정토크 기준으로 조립 하시고 손 드라이버로 반드시 확인하여 주시기 바랍니다. 확인 후 이상이 없으시면 나머지 모듈을 같은 토크로 조립하시고 이상이 있을 시 적정 토크를 다시 조정하여 확인 후 조립 하시기 바랍니다.

→ 시간이 지남 또는 사용빈도 수에 따라 전동드라이버의 토크가 약해지므로 전동드라이버의 설명서에 적혀 있는 토크가 실제와 차이가 있을 수 있으니 반드시 손 드라이버로 볼트의 조임 상태를 확인 하시기 바랍니다.

※ Matters that require attention during assembling work ※

▶ Standard for optimal torque : 6~7Kg/cm (Beware of torque marking unit)

1. When more force applies than this standard, all molding could be damaged.
  2. When less force applies than this standard, water proof problem would be caused because all moldings and their facing objects cannot adhere to each other properly.
  3. Assembly first 1 module following to standard for optimal torque. And, check it with hand driver.
    - If there is no problem, use same way for others.
    - When any problem comes out, adjust standard for optimal torque and try again.
- Due to the time advanced or the amount used, torque of electric driver would become weaken. So, check tightening condition with hand driver because there would be the gap between torque described at manual and actual torque.

	MODEL	VERSION UPDATE	PAGE
	VS128F111-4	2017.07.04	9/11

## 12. SAFETY

### ● Precautions in installing LED Module

1. Please escape the place where electromagnetic wave and noise is, which might cause malfunction to LED module, when install LED Display Board.
2. Since over voltage and reverse voltage might cause the problem in internal circuit and LED, please make sure and check the input voltage range, before operation.
3. Please escape the high humidity and leakage place which cause the LED module to be broken.
4. The temperature of the surface of LED module shall be under 70°C during operation.
5. Heating from LED might cause damage in LED module or/and malfunction in LED display board, user shall prepare suitable ventilation and cooling facility.
6. Even though the brightness become lower and lower, after long time use, it's prohibited to input over voltage in order to increase the brightness, which might cause severe damage to LED Module.  
For the best operation, user shall operate LED module according to data sheet.
7. Please turn off the power supply, when display data are not charged.
8. Please be careful not to exposure LED Module to the dust, dirt, base, gas and other noxious gas, when install LED Display.
9. User shall consider the weight of LED module enough, when prepare steel structure and install LED Display Board.



MODEL

VS128F111-4

VERSION UPDATE

2017.07.04


PAGE

10/11

## ● Precautions in installing LED Module

1. Any jumper and switch is set up properly before delivery, please do not modify or/and change setting without consulting with manufacturer.
2. The circuit part of LED Module includes CMOS components, please treat carefully with consideration of static electricity
3. Impact and vibration to LED Module might be the reason of disconnection and dot off, please escape those factors.
4. It's highly recommended to escape the high temperature & humidity and be careful not to exposure LED module to dust, dirt, base and SO2 Gas and other noxious Gas in order to escape the potential problem.
5. Please be careful not to be scratched and hurt on the surface of LED module.
6. It's prohibited to clean up LED module with solvent.  
In order to clean up LED module, it's highly recommended to use a piece of dried cloth and smooth brush.
7. Stacking LED modules without anti-impact material and wearing out the surface or/and edge of LED modules might cause fatal problem.
8. It's highly recommended to use twisted cable or shielded wire in order to remove the noise from high frequency.
9. When user use and store LED module, please pack LED module with anti-static material.

**WWW.VISSEM.COM**

	MODEL	VERSION UPDATE	PAGE
	VS128F111-4	2017.07.04	11/11